


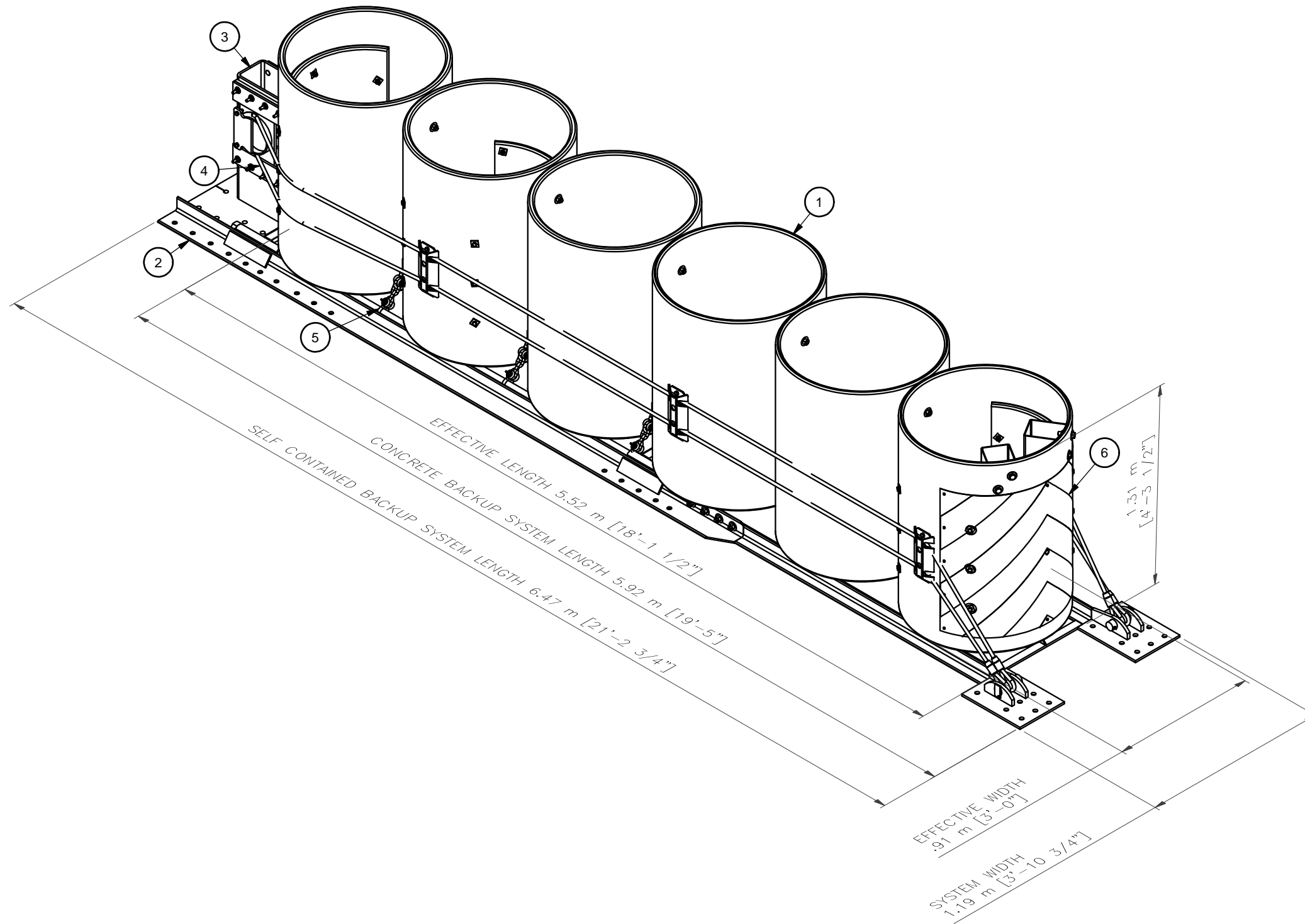
KEY	① CYLINDER	⑤ STABILIZER CHAIN			
	② BASE TRACK	⑥ REFLECTIVE NOSE COVER			
	③ BACKUP				
	④ CABLE				
Revision	Date	Rev	By	Chk.	App.

SERIAL NO.		REFERENCES		DRAWN:	DATE:
SALES ORDER	EH PROJECT	CYLINDERS	3535001-0000	A.Cox	10/6/2010
NO. OF UNITS		BACKUP / BASE TRACK	3535002-0000	DESIGNED:	DATE:
		CONCRETE PAD	114054	A.Cox	
		STABILIZER CHAIN	606186	CHECKED:	DATE:
		REFLECTIVE NOSE	NEW	APPROVED:	DATE:
		REFLECTOR ASSY	613706	FILE:	
		RESTRAINING CABLE	3535055-0000		
				6 Cyl TL-3 REACT.idw	


ENERGY ABSORPTION SYSTEMS, INC.
 ENGINEERING AND RESEARCH DEPARTMENT

REACT 350® II


SCALE:	DRAWING: 6 Cyl TL-3 REACT	SHEET: 1 of 2	REV
--------	---------------------------	---------------	-----



KEY	①	CYLINDER	⑤	STABILIZER CHAIN	
	②	BASE TRACK	⑥	REFLECTIVE NOSE COVER	
	③	BACKUP			
	④	CABLE			
Revision	Date	Rev	By	Chk.	App.

<u>REFERENCES</u>		
CYLINDERS		
BACKUP / BASE TRACK		
CONCRETE PAD		
STABILIZER CHAIN		114054
REFLECTIVE NOSE		606186
REFLECTOR ASSY		
RESTRAINING CABLE		613706
SERIAL NO.		
SALES ORDER		
EH PROJECT		
NO. OF UNITS		

DRAWN:	A.Cox	DATE:	10/6/2010
DESIGNED:	A.Cox	DATE:	
CHECKED:		DATE:	
APPROVED:		DATE:	
FILE:	6 Cyl TL-3 REACT.idw		


ENERGY ABSORPTION SYSTEMS, INC.
 ENGINEERING AND RESEARCH DEPARTMENT

REACT 350® II

SCALE:	DRAWING:	SHEET:	REV:
	6 Cyl TL-3 REACT	2 of 2	